

C361T

Serial Number

38000001-38999999

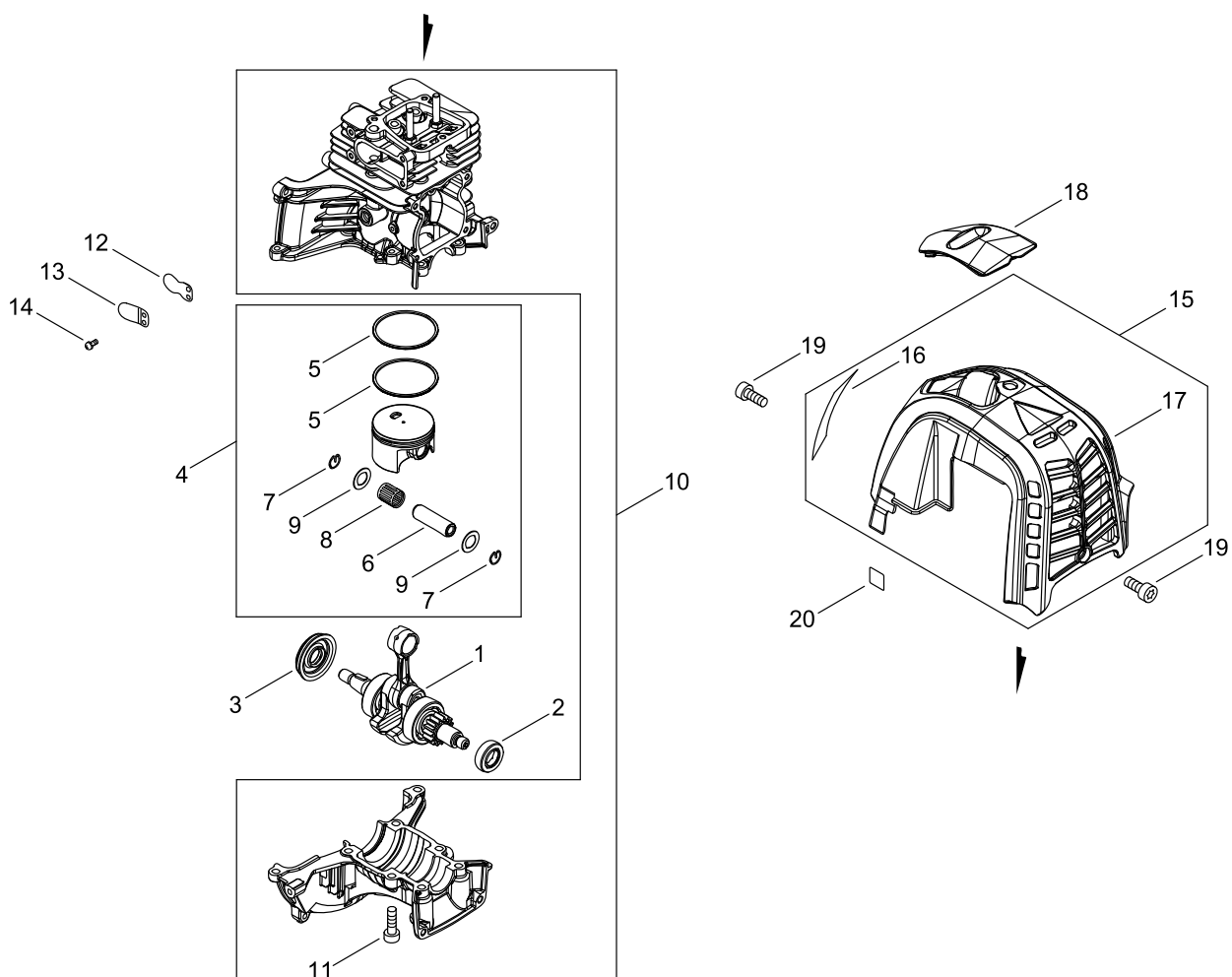
Last updated date

30/Jan/2021

TABLE OF CONTENTS

CYLINDER, PISTON, CRANKSHAFT	1
VALVE, CAM	3
MAGNETO.....	5
CLUTCH.....	7
AIR CLEANER, CARBURETOR.....	9
CARBURETOR.....	11
FUEL TANK	13
MUFFLER.....	15
RECOIL STARTER, PULLY	17
GEAR CASE, SHIELD	19
MAIN PIPE, HANDLE.....	21
THROTTLE.....	23
ACCESSORIES	25

CYLINDER, PISTON, CRANKSHAFT



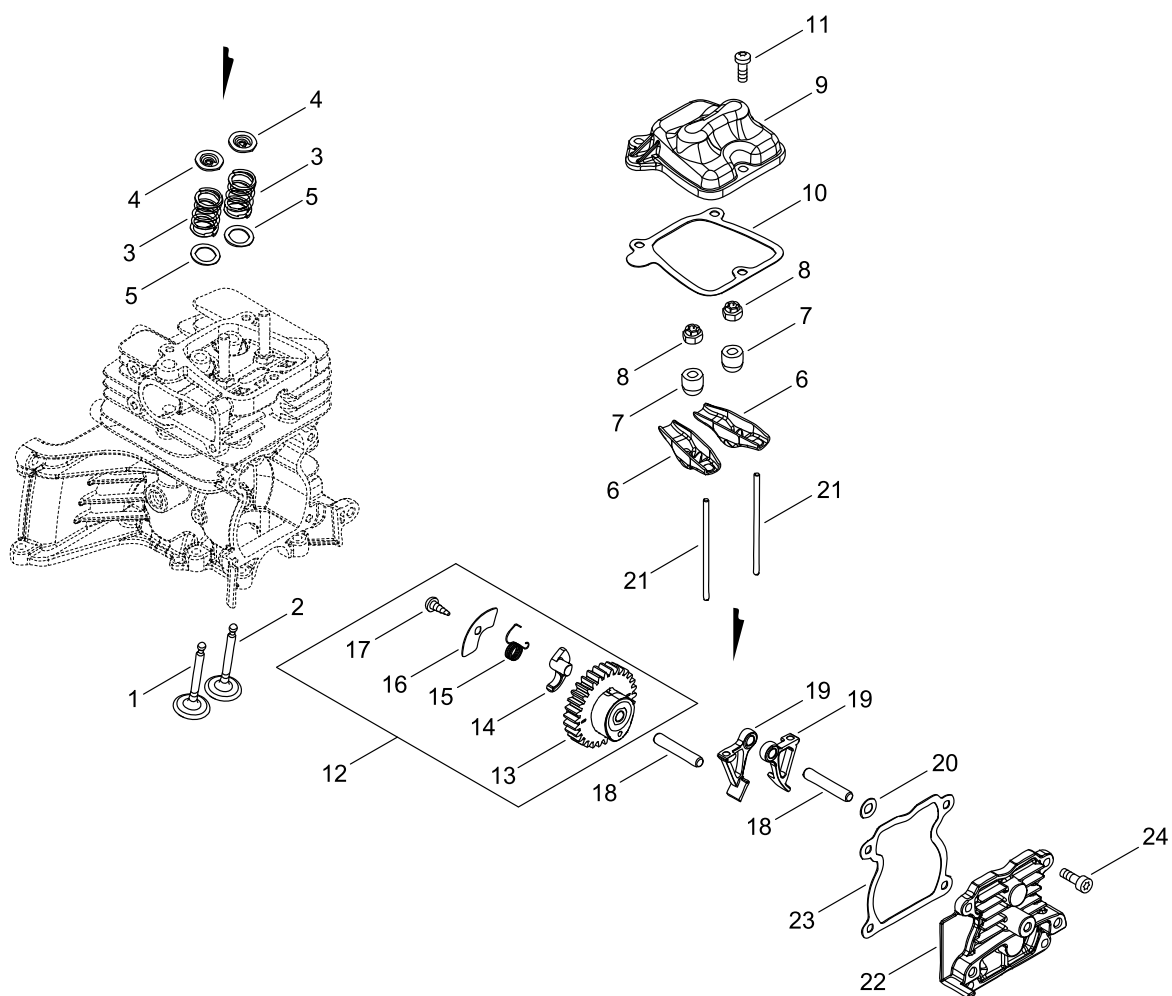
CYLINDER, PISTON, CRANKSHAFT

Key No.	LV (+)	Parts Number	Parts Description	Qty	Standard	Class
1		A011-001530	CRANKSHAFT,ASY	1		D
2		V505-000020	SEAL,OIL 12	1	12*22*7	C
3		V505-000011	SEAL,OIL 12	1	12*32*5.5	C
4		P100-004740	PISTON KIT	1		
5	+	A101-000730	RING, PISTON	2		B
6	+	V608-000000	PIN,ENG 10	1		D
7	+	V580-000010	RING,END	2	10	C
8	+	V555-000010	BEARING,NEEDLE 10	1		B
9	+	V307-000580	WASHER,CIRCULAR 10	2	10.2*16*0.5	C
10		P100-004730	CYL. CRANKCASE SET	1		
11	+	V805-000250	BOLT, TORX 5	8	TB-5*16 12.9	C
12		A211-000021	VALVE, REED	1		C
13		A212-000021	GUIDE, VALVE	1		C
14		91341-03006	SCREW	2	3*6	
15		A160-003400	COVER,CYLINDER	1		C
16		X504-008180	LABEL,BRAND	1	SHINDAIWA	D
17	+	A160-003420	COVER,CYLINDER	1		C
18		A429-000220	COVER,CAP	1		C
19		V805-000140	BOLT, TORX 5	3	TB-5*12 10.9	C
20		X524-001901	LABEL	1		D

Class : Consumable class

A:Fast moving parts B:Semi-fast moving parts C:Slow moving parts D:Order only as needed

VALVE, CAM



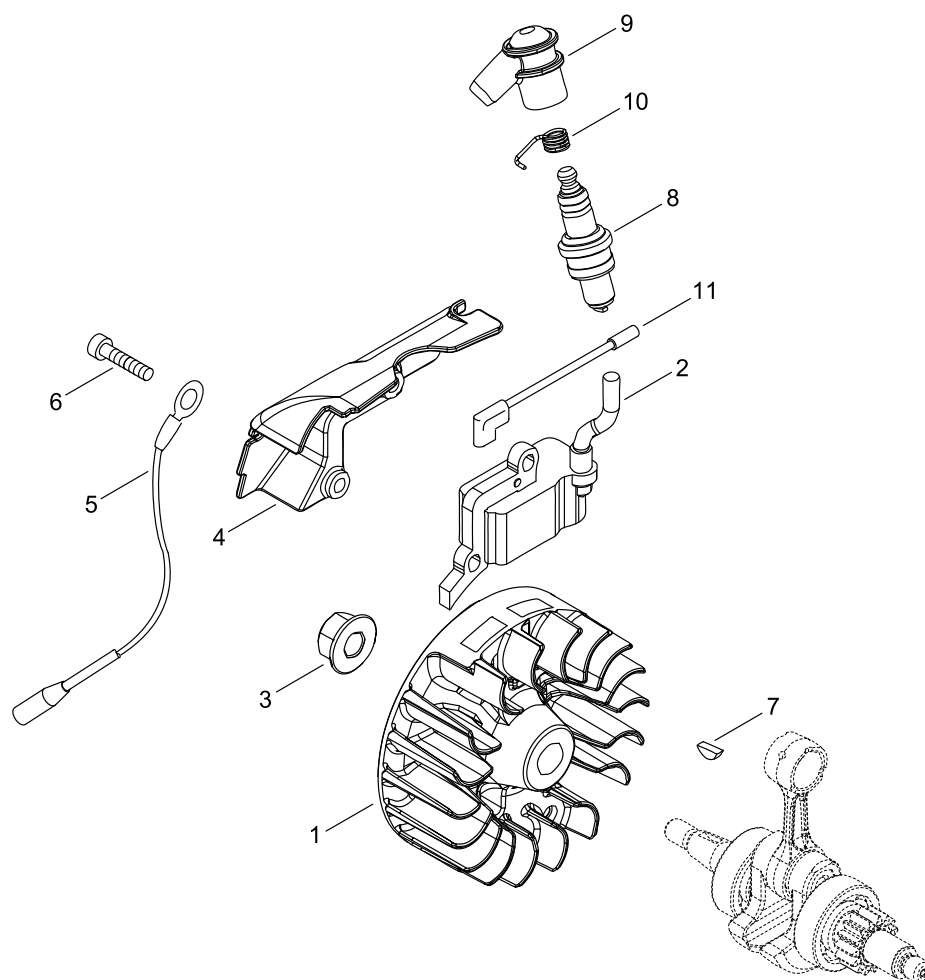
VALVE, CAM

Key No.	LV (+)	Parts Number	Parts Description	Qty	Standard	Class
1		A603-000090	VALVE	1		D
2		A603-000100	VALVE	1		D
3		A604-000030	SPRING,VALVE	2		D
4		A606-000040	RETAINER	2		D
5		V392-000030	PLATE	2		C
6		A610-000090	ARM,ROCKER	2		D
7		V353-000720	COLLAR,5	2		C
8		V263-000500	NUT,5	2	M5X0.8	C
9		A137-000040	COVER,ROCKER ARM	1		C
10		V109-000340	GASKET	1		A
11		V202-000850	BOLT,4	3	T20	
12		P100-004750	CAM GEAR ASY	1		
13	+	A622-000020	GEAR,CAM	1		C
14	+	A146-000020	WEIGHT,DECOMP	1		C
15	+	V452-001800	SPRING,TORSION	1		B
16	+	C603-000240	PLATE	1		C
17	+	V252-000930	SCREW,4	1	4XL6	C
18		900330-50280	ROLLER	2	5*28	
19		A600-000020	LIFTER	2		D
20		V303-000220	WASHER	1	T0.3	C
21		A607-000030	ROD,PUSH	2		C
22		P100-004760	COVER,CAM GEAR	1		
23		V109-000040	GASKET	1		A
24		V804-000050	BOLT, TORX 4	4	TB-4*12 10.9	C

Class : Consumable class

A:Fast moving parts B:Semi-fast moving parts C:Slow moving parts D:Order only as needed

MAGNETO



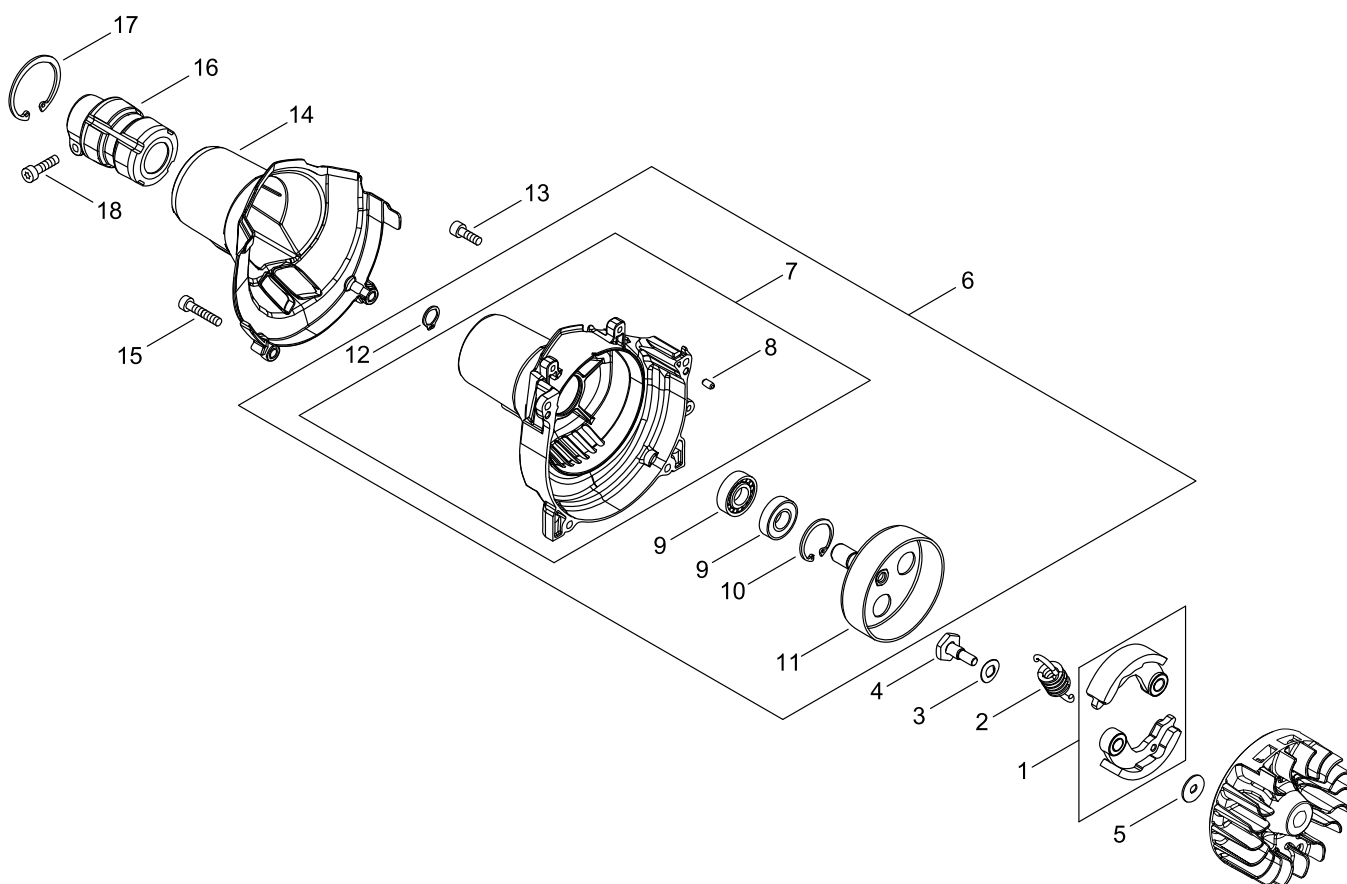
MAGNETO

Key No.	LV (+)	Parts Number	Parts Description	Qty	Standard	Class
1		A409-001340	ROTOR, MAGNETO	1	ID#R10033	C
2		A411-001770	COIL, IGNITION	1	ID#A10065	C
3		900515-00008	NUT, FLANGE	1	8	
4		E106-000240	GUIDE,AIR	1		C
5		V485-003020	LEAD	1	L275 LA105/CB104	C
6		V203-002400	BOLT,5	2	5*20-12.9	C
7		93115-03010	KEY, WOODRUFF	1	3*10	
8		A425-000040	SPARKPLUG	1	NGK CMR5H	A
9		A427-000190	CAP,SPARK PLUG	1		C
10		A426-000010	TERMINAL,SPARKPLUG	1		C
11		V485-003010	LEAD	1	L265 CB104	C

Class : Consumable class

A:Fast moving parts B:Semi-fast moving parts C:Slow moving parts D:Order only as needed

CLUTCH



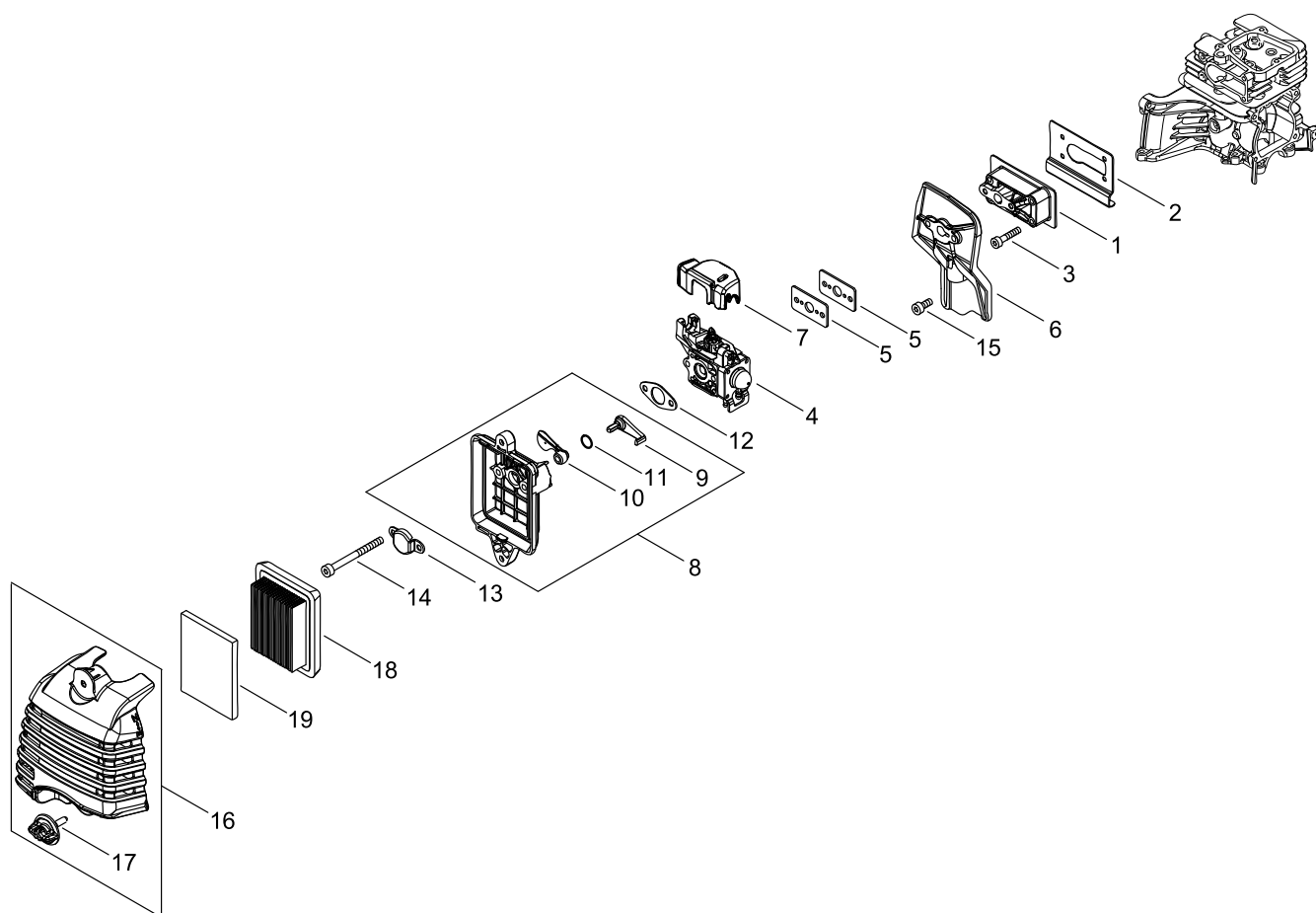
CLUTCH

Key No.	LV (+)	Parts Number	Parts Description	Qty	Standard	Class
1		P021-046970	CLUTCH SHOE SET	1		
2		A566-000320	SPRING, CLUTCH	1	3.2 311N	B
3		175049-56030	WASHER	2	8.5*16*0.5	C
4		A557-000150	SHAFT, CLUTCH	2		B
5		175048-05530	WASHER (I)	2	6.2*19*1.0	C
6		P100-004780	COVER ASY, FAN	1		
7	+	P100-010620	COVER,FAN	1		C
8	++	900330-40080	ROLLER	2	4*8	
9	+	94018-46001	BEARING, BALL	2	6001LB	
10	+	92419-28000	RETAINING RING, INTERNAL	1	IRTW-28	
11	+	A556-001810	DRUM, CLUTCH	1		B
12	+	900701-00012	RETAINING RING, EXTERNAL	1	CS-12	
13		V805-000150	BOLT, TORX 5	2	TB-5*16 10.9	C
14		A413-000110	BOOT	1		C
15		V805-000170	BOLT, TORX 5	2	TB-5*25 10.9	C
16		A575-000640	FIXTURE, MAIN PIPE	1		C
17		92424-42000	RETAINING RING, INTERNAL	1	CR-42	
18		V805-000170	BOLT, TORX 5	1	TB-5*25 10.9	C

Class : Consumable class

A:Fast moving parts B:Semi-fast moving parts C:Slow moving parts D:Order only as needed

AIR CLEANER, CARBURETOR



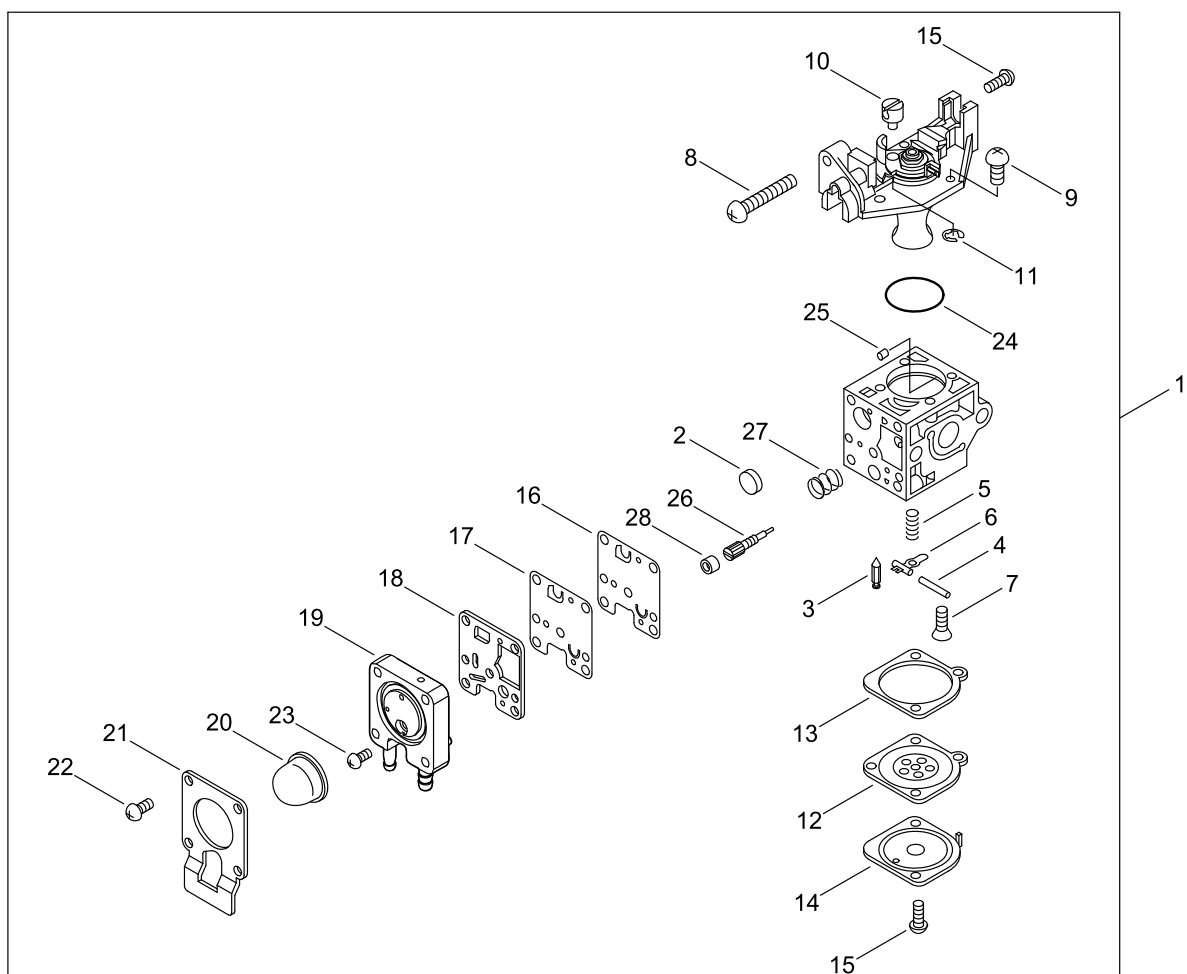
AIR CLEANER, CARBURETOR

Key No.	LV (+)	Parts Number	Parts Description	Qty	Standard	Class
1		A200-001190	INSULATOR, INTAKE	1		C
2		V103-001980	GASKET,INTAKE	1		A
3		V804-000120	BOLT, TORX 4	4	TB-4*25 10.9	C
4		A021-004820	CARBURETOR,DIAPHRAGM	1	IDYZ0004 110137A	B
5		V103-001990	GASKET,INTAKE	2		A
6		A209-001070	PLATE, INSULATOR	1		C
7		A127-000440	COVER,DUST	1		C
8		A023-000370	CASE,CLEANER	1		C
9	+	A242-000290	LEVER,CHOKE	1		C
10	+	A243-000380	SHUTTER, CHOKE	1		C
11	+	V581-000790	RING,O	1		A
12		V103-001970	GASKET,INTAKE	1		A
13		A244-000330	PLATE, PREVENT	1		C
14		V805-000100	BOLT, TORX 5	2	TB-5*65 10.9	C
15		V805-000140	BOLT, TORX 5	1	TB-5*12 10.9	C
16		P100-004790	CLEANER COVER ASY	1		
17	+	A235-000450	KNOB,CLEANER LID	2		C
18		A226-000361	ELEMENT, AIR FILTER	1	AFP-2010K-300	A
19		A226-002200	ELEMENT, AIR FILTER	1		A

Class : Consumable class

A:Fast moving parts B:Semi-fast moving parts C:Slow moving parts D:Order only as needed

CARBURETOR



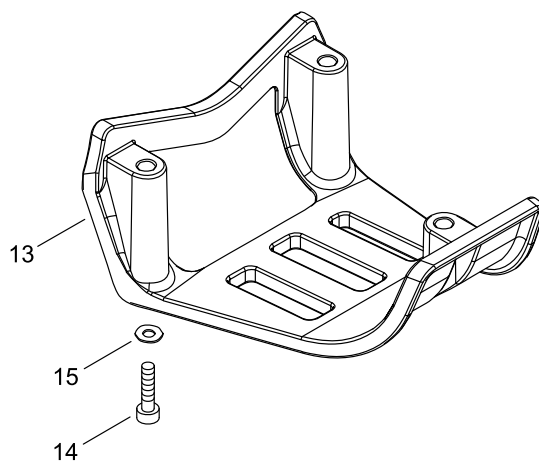
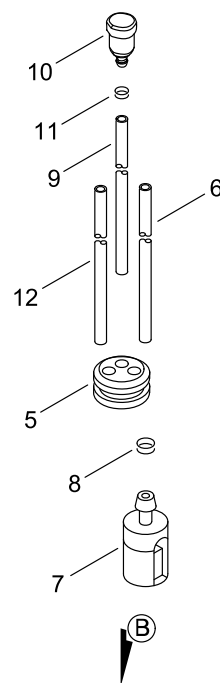
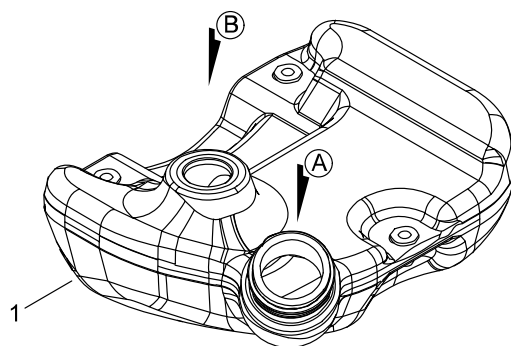
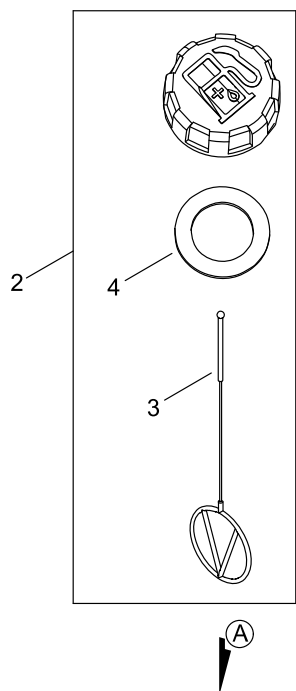
CARBURETOR

Key No.	LV (+)	Parts Number	Parts Description	Qty	Standard	Class
1		A021-004820	CARBURETOR,DIAPHRAGM	1	IDYZ0004 110137A	B
2	+	P005-000010	STRAINER	1		
3	+	125337-08260	VALVE, INLET NEEDLE	1		
4	+	125338-13930	PIN, METERING ARM	1		
5	+	125322-13930	SPRING, COIL	1		
6	+	125323-08260	ARM, VALVE	1		
7	+	125339-42030	SCREW	1		
8	+	P005-000100	SCREW,THROTTLEADJUST	1		
9	+	125344-13931	SCREW	3		
10	+	P005-001240	POST	1		
11	+	P005-000190	E-RING	1		
12	+	P005-003760	DIAPHRAGM ,METERING	1		
13	+	P005-000200	GASKET, METERING	1		A
14	+	125342-52130	COVER, DIAPHRAGM	1		
15	+	125344-52130	SCREW	3		
16	+	P005-003930	DIAPHRAGM, PUMP	1		
17	+	P005-003940	DIAPHRAGM, PUMP	1		
18	+	P005-000520	GASKET, PUMP	1		A
19	+	P005-004240	BASE, ASY PRIMER	1		
20	+	P005-003110	PUMP, PRIMER	1		
21	+	P005-000250	RETAINER	1		
22	+	P005-001900	SCREW	4		
23	+	P005-000270	SCREW	1		
24	+	P005-000280	O-RING	1		
25	+	P005-001000	ROLLER, GUIDE	1		
26	+	P005-003950	SCREW,MAIN MIXTURE	1		
27	+	P005-003960	SPRING, PUMP	1		
28	+	P005-001270	PLUG, AJUST SCREW	1		

Class : Consumable class

A:Fast moving parts B:Semi-fast moving parts C:Slow moving parts D:Order only as needed

FUEL TANK



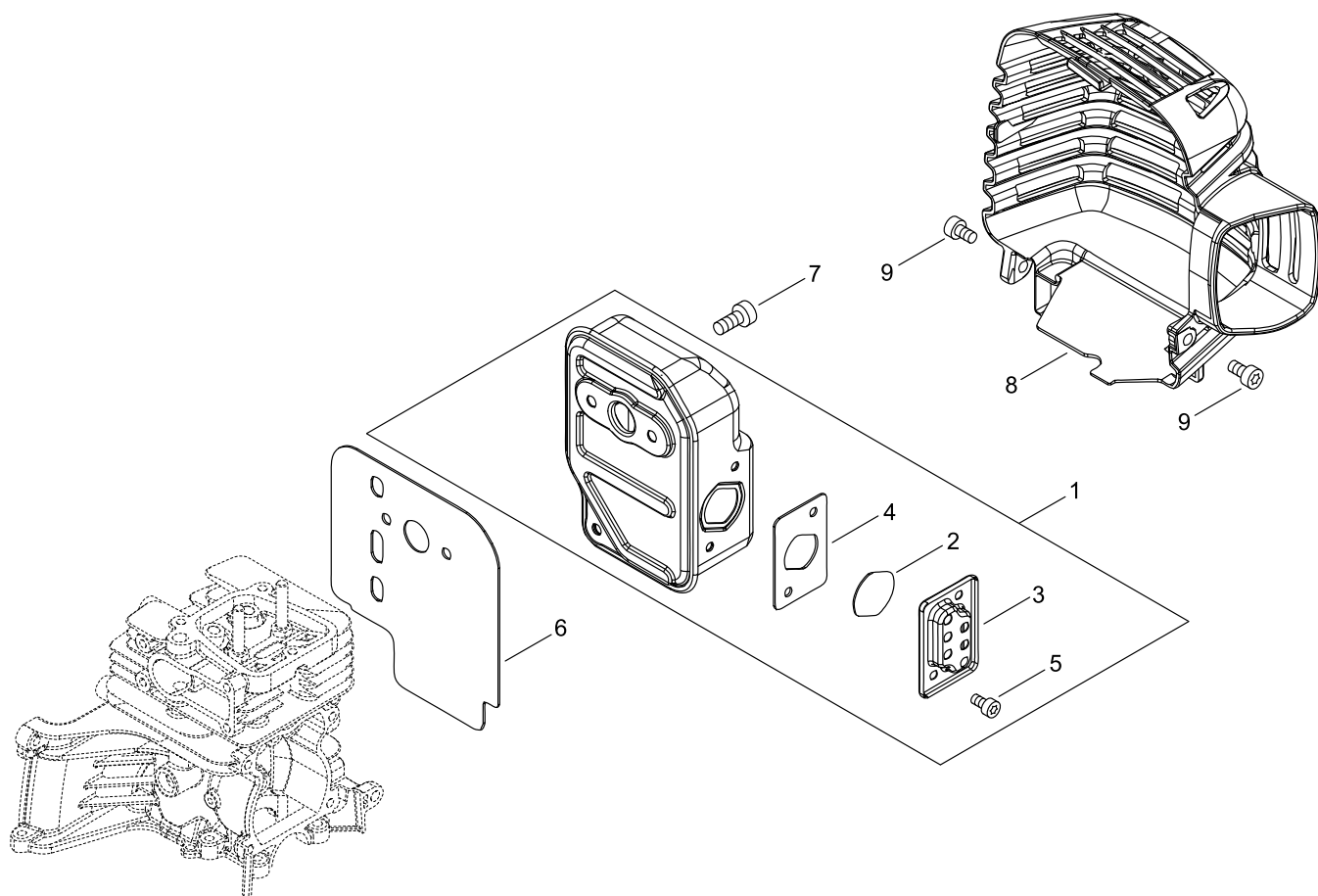
FUEL TANK

Key No.	LV (+)	Parts Number	Parts Description	Qty	Standard	Class
1		A350-002460	TANK, FUEL	1		C
2		P021-035681	FUEL CAP ASY	1	T242	
3	+	A365-000060	CONNECTOR,CAP	1	L=123	B
4	+	V107-000190	GASKET,FUEL CAP	1	37.9* T 2.2	A
5		132115-55931	GROMMET, FUEL	1	3 φ5	C
6		V471-004171	PIPE	1	3*5*235	C
7		A369-000420	STRAINER, FUEL	1	ES-16499	A
8		V490-000500	CLIP	1		C
9		V471-001501	PIPE	1	3*6*80	C
10		A356-000050	VALVE,CHECK	1		B
11		V490-000500	CLIP	1		C
12		V471-005290	PIPE	1	3*6*130	C
13		A175-000390	STAND	1		C
14		V805-000170	BOLT, TORX 5	3	TB-5*25 10.9	C
15		900603-00005	WASHER	3	5	

Class : Consumable class

A:Fast moving parts B:Semi-fast moving parts C:Slow moving parts D:Order only as needed

MUFFLER



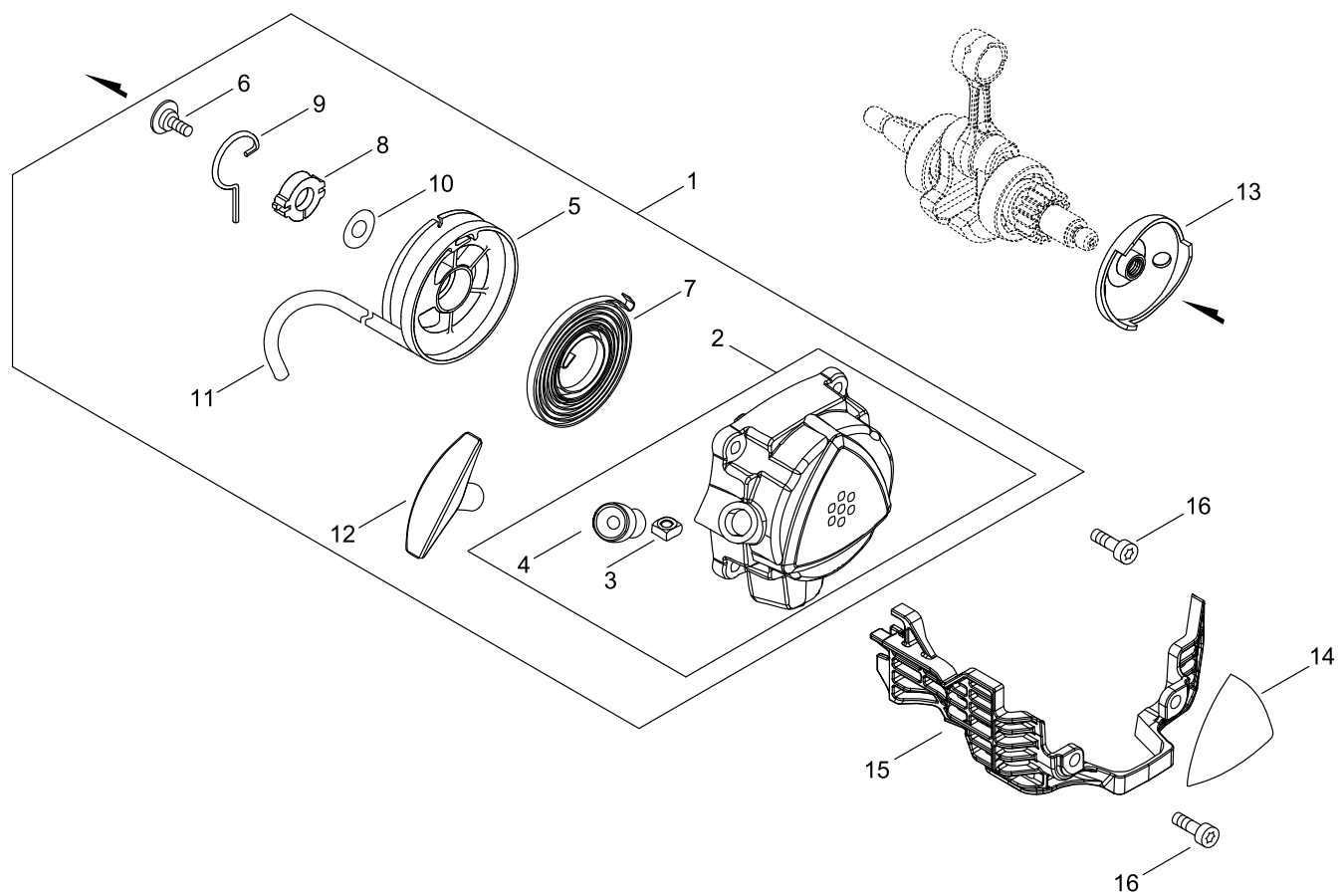
MUFFLER

Key No.	LV (+)	Parts Number	Parts Description	Qty	Standard	Class
1		P100-004810	MUFFLER ASY	1		
2	+	A310-000520	SCREEN, ARRESTOR	1		B
3	+	A313-002070	GUIDE, EXHAUST	1	ID#2240	C
4	+	V104-002360	GASKET,EXHAUST	1		A
5	+	V804-000030	BOLT, TORX 4	2	TB-4*8 10.9	C
6		V104-002370	GASKET,EXHAUST	1	T1.0	A
7		V805-000250	BOLT, TORX 5	3	TB-5*16 12.9	C
8		A320-001280	COVER,MUFFLER	1		C
9		V805-000140	BOLT, TORX 5	2	TB-5*12 10.9	C

Class : Consumable class

A:Fast moving parts B:Semi-fast moving parts C:Slow moving parts D:Order only as needed

RECOIL STARTER, PULLY



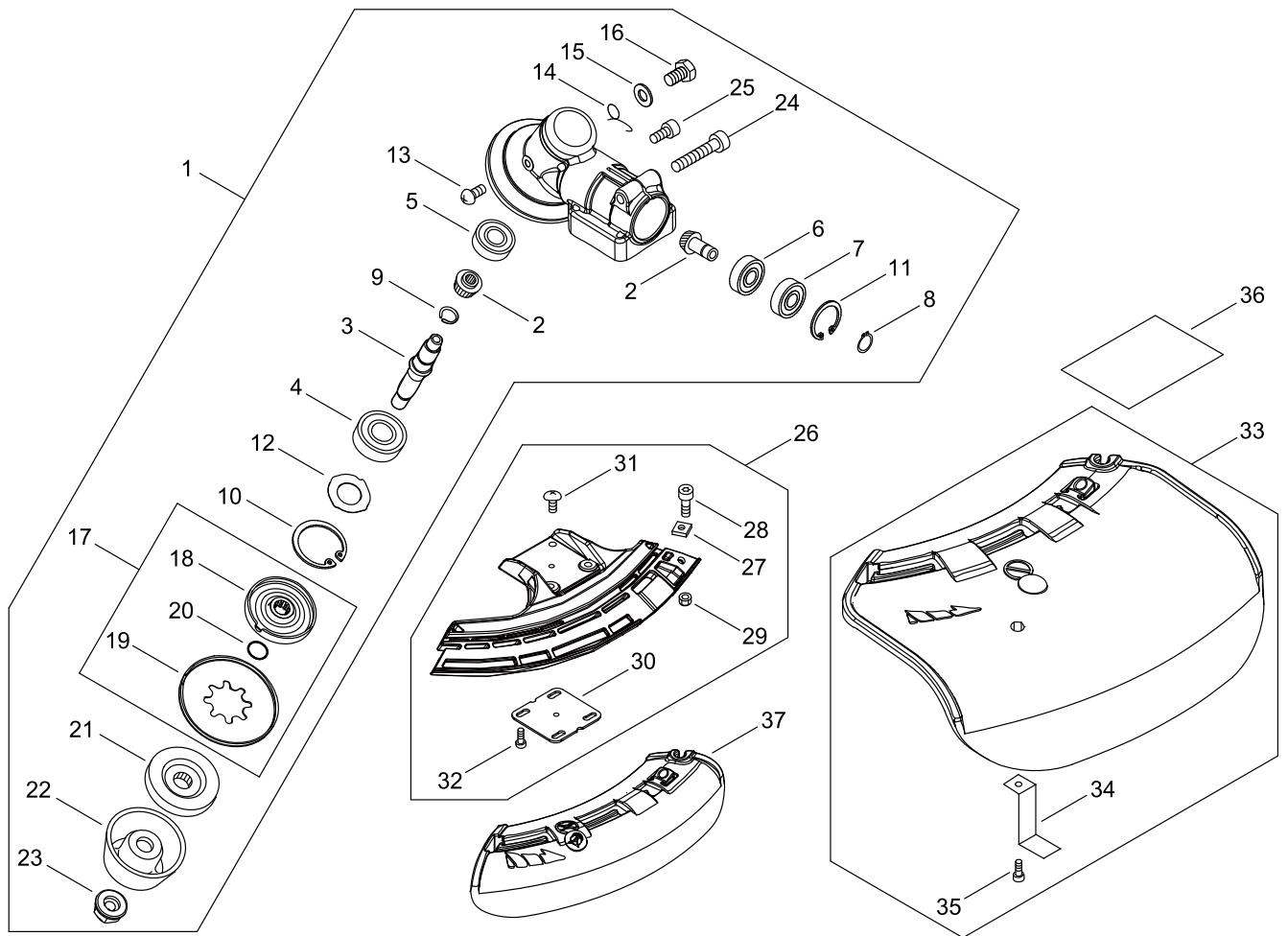
RECOIL STARTER, PULLY

Key No.	LV (+)	Parts Number	Parts Description	Qty	Standard	Class
1		A051-003330	STARTER,RECOIL ASY	1		B
2	+	P022-059510	CASE, STARTER	1		
3	++	P022-022010	NUT	1		
4	++	P022-045770	GUIDE, ROPE	1		
5	+	P022-049770	DRUM, STARTER	1		
6	+	177236-61830	SCREW	1		
7	+	177220-42030	SPRING, REWIND	1		
8	+	P022-049780	COLLAR	1		
9	+	P022-049790	SWING ARM	1		
10	+	177214-41030	WASHER	1		
11	+	P022-049800	ROPE, STARTER	1		
12	+	177228-44330	GRIP, STARTER	1		
13		A052-000300	STARTER PULLEY	1		C
14		X562-001920	LABEL,SHINDAIWA	1	SHINDAIWA+C361T	
15		A127-000600	COVER,DUST	1		C
16		V805-000150	BOLT, TORX 5	4	TB-5*16 10.9	C

Class : Consumable class

A:Fast moving parts B:Semi-fast moving parts C:Slow moving parts D:Order only as needed

GEAR CASE, SHIELD



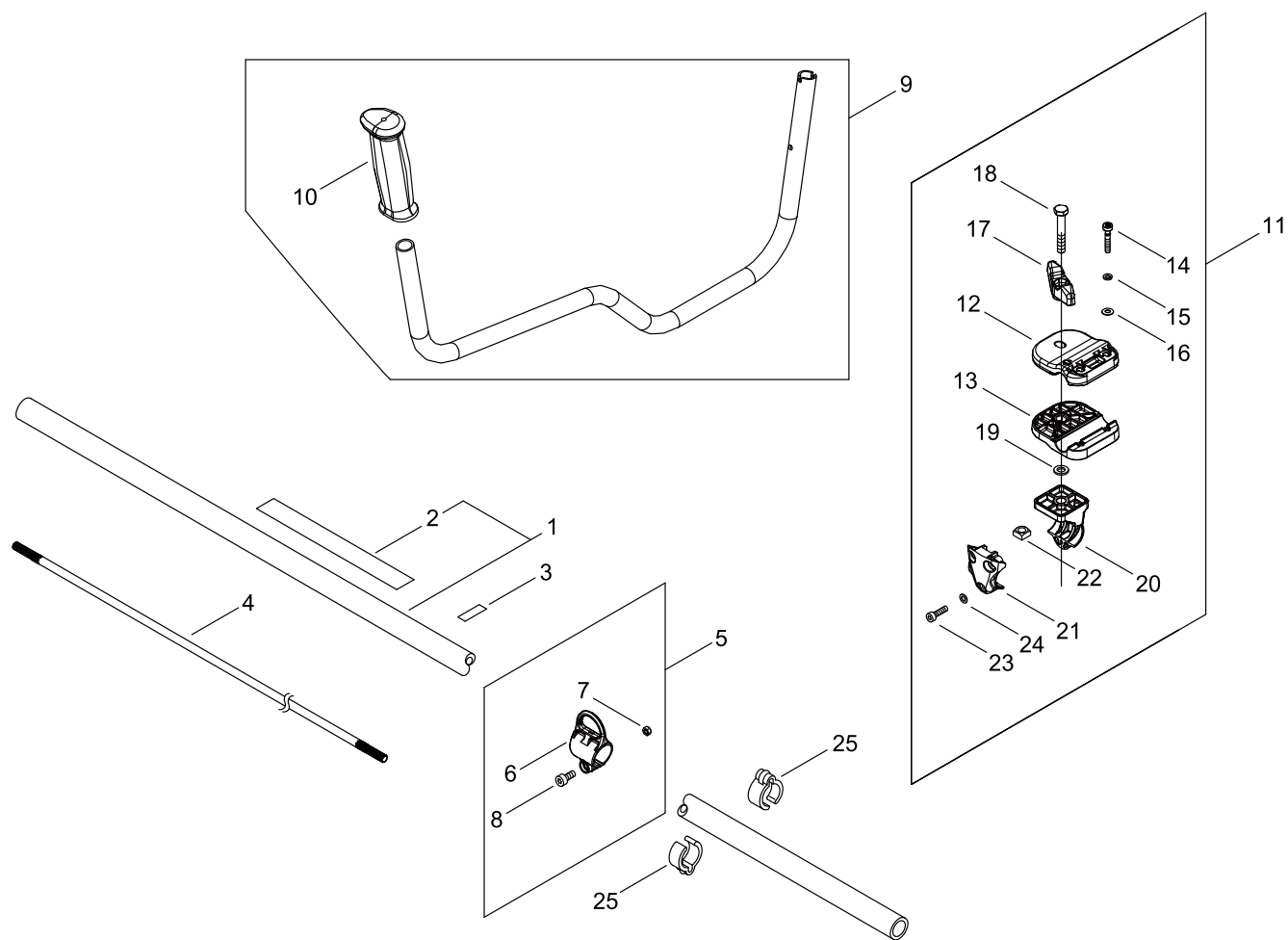
GEAR CASE, SHIELD

Key No.	LV (+)	Parts Number	Parts Description	Qty	Standard	Class
1		P100-004840	CASE,GEAR ASY	1		
2	+	V000-000260	GEAR SET, BEVEL	1		D
3	+	C534-001080	SHAFT, GEAR	1		D
4	+	900812-06201	BEARING, BALL	1	6201LLU(DDU)	
5	+	900810-00629	BEARING, BALL	1	629	
6	+	900800-00609	BEARING, BALL	1	609	
7	+	900803-00609	BEARING, BALL	1	609Z	
8	+	900701-00009	RETAINING RING, EXTERNAL	1	CS-9	
9	+	900706-00012	RETAINING RING, EXTERNAL	1	WR-12	
10	+	900702-00032	RETAINING RING, INTERNAL	1	CR-32	
11	+	900702-00025	RETAINING RING, INTERNAL	1	CR-25	
12	+	V340-000180	WASHER	1		C
13	+	900220-04006	SCREW	1	4*6	
14	+	V452-001310	SPRING,TORSION	1		B
15	+	900603-50008	WASHER	1	8.5*18*0.8T	C
16	+	610434-50031	BOLT 8* 8	1	M8*8	C
17	+	610313-52932	FIXTURE,BLADE	1		C
18	++	610313-52132	FIXTURE,BLADE	1		C
19	++	610352-56830	PLATE, CUP	1		C
20	++	900720-00012	O-RING	1	P-12	
21	+	610314-52130	PLATE, ADAPTER (L)	1		C
22	+	699229-56830	PLATE, COVER	1		C
23	+	610320-52130	NUT 10	1		C
24	+	V806-000020	BOLT, TORX 6	1	TB-6*25 10.9	C
25	+	V805-000130	BOLT, TORX 5	1	TB-5*10 10.9	C
26		P100-010590	SHIELD ASY	1		B
27	+	900565-00005	NUT, SQUARE	1	5	
28	+	V805-000170	BOLT, TORX 5	1	TB-5*25 10.9	C
29	+	900562-00005	NUT, LOCK	1	5	
30	+	C552-000200	PLATE, SHIELD	1		D
31	+	91316-04010	SCREW	1	4*10	
32	+	V805-000260	BOLT, TORX 5	4	TB5*25 10.9	C
33		P021-048940	SHIELD ASY	1		
34	+	C554-000001	KNIFE,CORD	1		B
35	+	V805-000150	BOLT, TORX 5	1	TB-5*16 10.9	C
36		X530-000570	LABEL,EYE CATCHER	1	HIGH TORQUE	D
37		C550-000541	SHIELD, BLADE	1		B

Class : Consumable class

A:Fast moving parts B:Semi-fast moving parts C:Slow moving parts D:Order only as needed

MAIN PIPE, HANDLE



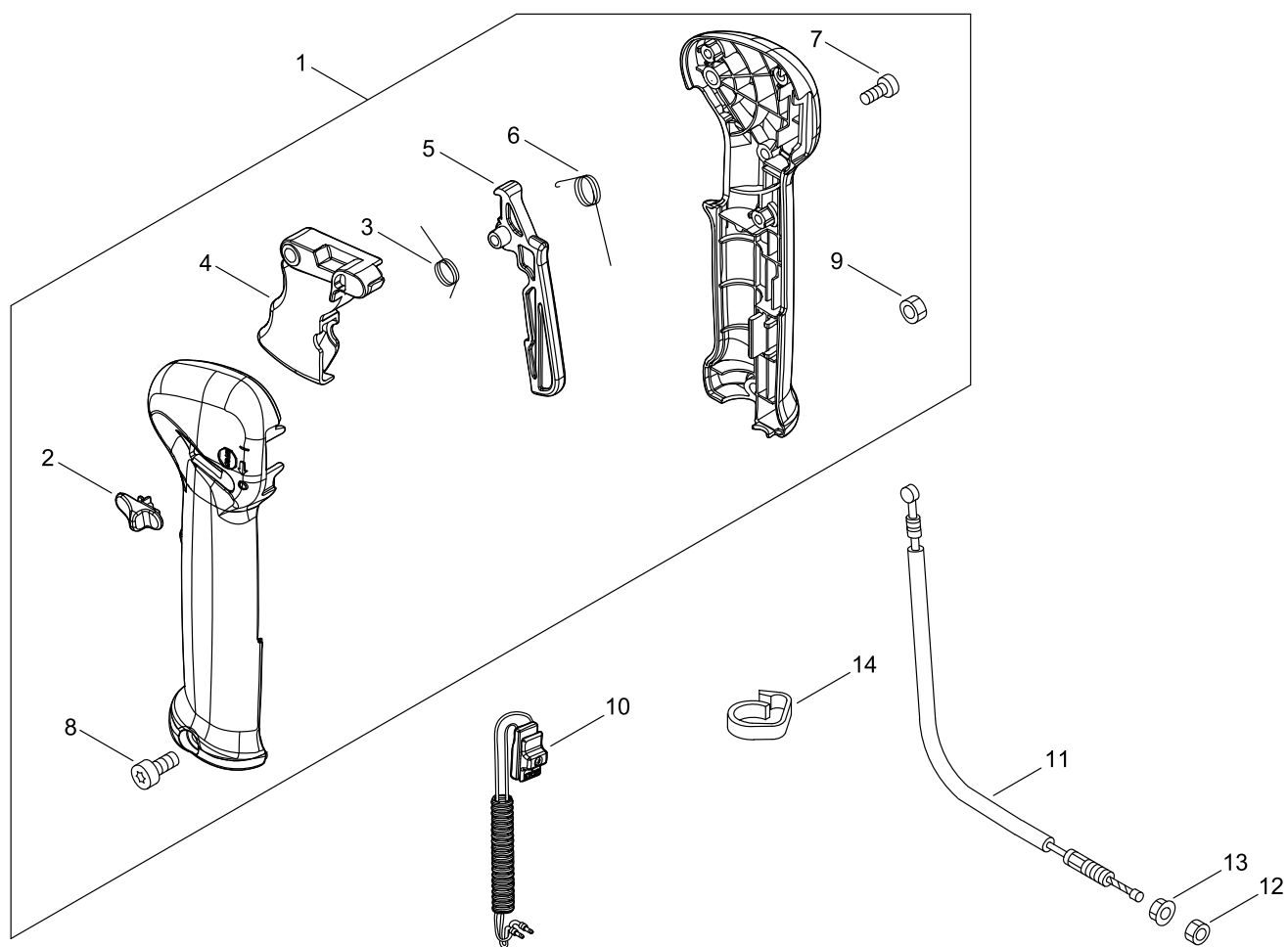
MAIN PIPE, HANDLE

Key No.	LV (+)	Parts Number	Parts Description	Qty	Standard	Class
1		P021-049000	MAIN PIPE ASY	1		
2	+	890617-43130	LABEL,CAUTION	1		D
3		890152-04930	LABEL, CAUTION	1		D
4		610011-25530	SHAFT, DRIVE	1		C
5		P100-010550	HOOK ASY	1		D
6	+	C670-000240	HOOK,LIFTING	1		C
7	+	900500-00005	NUT	1	5	
8	+	V805-000320	BOLT, TORX 5	1	TB-5*16 10.9	C
9		P100-010560	HANDLE ASY	1		C
10	+	C403-000031	GRIP,HANDLE	1		C
11		P100-010570	FIXTURE HANDLE SET	1		
12	+	C423-001090	FIXTURE, HANDLE	1	19	D
13	+	C423-001100	FIXTURE, HANDLE	1	19	D
14	+	V203-002500	BOLT,5	2	TB-5*30	C
15	+	900605-00005	WASHER, SPRING	2	5	
16	+	900620-00005	WASHER	2	5	
17	+	V299-000680	KNOB,FASTENER	1	M8	C
18	+	V205-001400	BOLT,8	1	M8*1.25*L50	
19	+	900720-20007	O-RING	1	P-7	
20	+	C423-001110	FIXTURE, HANDLE	1		D
21	+	C423-001120	FIXTURE, HANDLE	1		D
22	+	900565-50008	NUT, SQUARE	1	8	
23	+	V805-000170	BOLT, TORX 5	3	TB-5*25 10.9	C
24	+	900600-00005	WASHER	1	5	
25		224924-52130	CLIP	2	25MM	C

Class : Consumable class

A:Fast moving parts B:Semi-fast moving parts C:Slow moving parts D:Order only as needed

THROTTLE



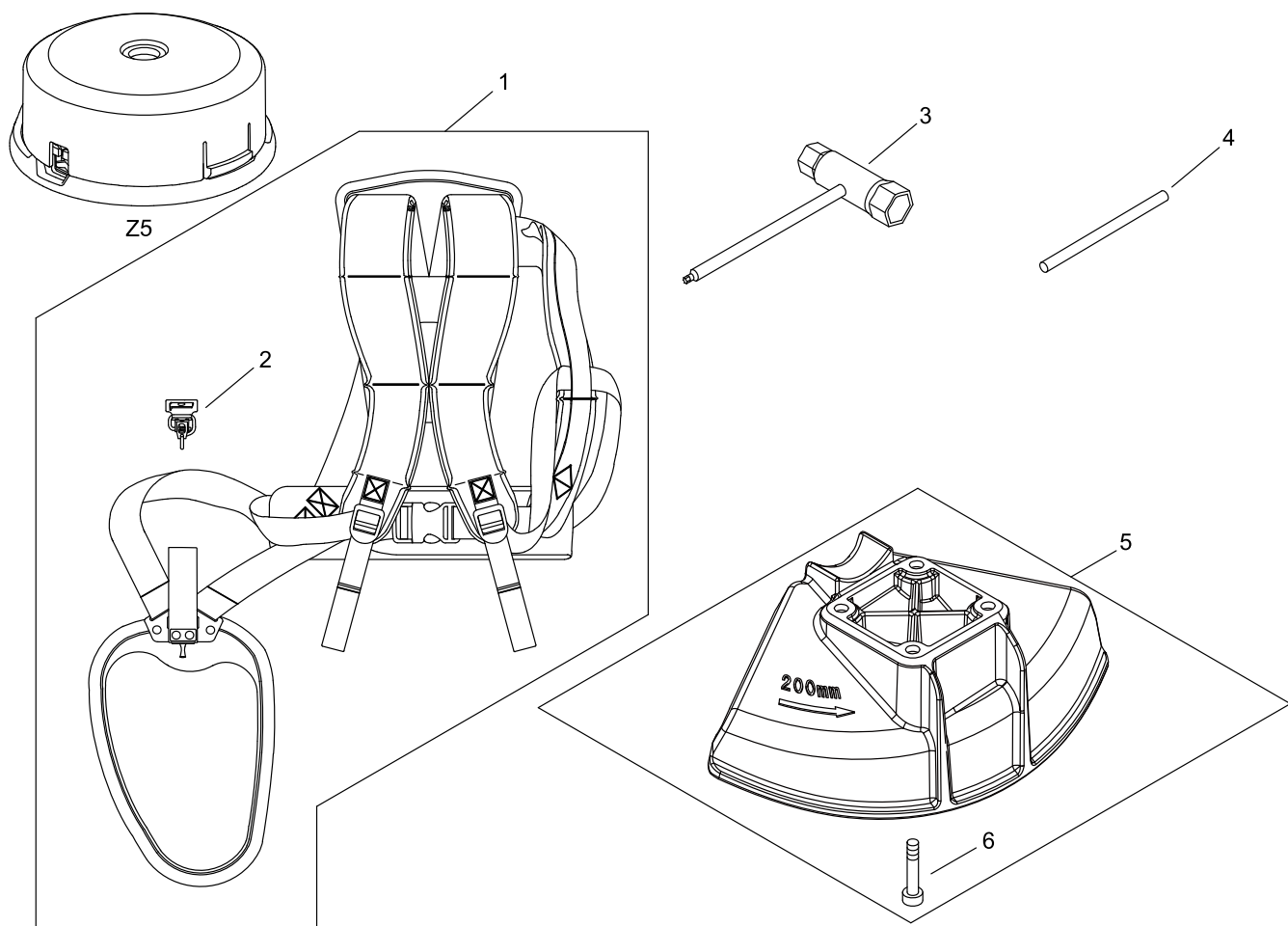
THROTTLE

Key No.	LV (+)	Parts Number	Parts Description	Qty	Standard	Class
1		P100-003870	THROTTLE ASY	1		
2	+	C463-000090	KNOB,LATCH	1		C
3	+	V452-000360	SPRING,TORSION	1		B
4	+	C450-000790	TRIGGER,THROTTLE	1		C
5	+	C460-000430	LOCKOUT,THROTTLE	1	70MM	C
6	+	V452-000350	SPRING,TORSION	1		B
7	+	V804-000010	BOLT, TORX 4	3	TT-4*16 DG 10.9	C
8	+	V805-000050	BOLT, TORX 5	1	TB-5*30 10.9	C
9	+	900500-00005	NUT 5	1	5	
10		P100-004860	SWITCH,ON OFF	1		
11		V430-005140	CABLE,BOWDEN	1	OUT:960 IN:87	B
12		900502-00006	NUT 6 (3N)	1	3N6	
13		900518-00006	NUT, FLANGE	1	6	
14		159112-09961	CLIP	1		C

Class : Consumable class

A:Fast moving parts B:Semi-fast moving parts C:Slow moving parts D:Order only as needed

ACCESSORIES



ACCESSORIES

Key No.	LV (+)	Parts Number	Parts Description	Qty	Standard	Class
1		C062-000520	HARNESS, SHOULDER	1	SHINDAIWA	B
2	+	P021-042910	HOOK ASSY	1		
3		X601-000020	TOOL,BOX SPANNER	1	19*16 L200	D
4		X606-000080	TOOL,BAR	1	5*120	D
5		P100-008860	SAW BLADE SHIELD	1		
6	+	V805-000410	BOLT, TORX 5	4	TB-5*20 10.9	C

Class : Consumable class

A:Fast moving parts B:Semi-fast moving parts C:Slow moving parts D:Order only as needed

NUMERICAL PARTS INDEX

Part No	Part description	Page	Part No	Part description	Page	Part No	Part description	Page
125322-13930	SPRING, COIL	12	900701-00012	RETAINING RING, EXTERNAL	8	A313-002070	GUIDE, EXHAUST	16
125323-08260	ARM, VALVE	12	900702-00025	RETAINING RING, INTERNAL	20	A320-001280	COVER,MUFFLER	16
125337-08260	VALVE, INLET NEEDLE	12				A350-002460	TANK, FUEL	14
125338-13930	PIN, METERING ARM	12	900702-00032	RETAINING RING, INTERNAL	20	A356-000050	VALVE,CHECK	14
125339-42030	SCREW	12	900706-00012	RETAINING RING, EXTERNAL	20	A365-000060	CONNECTOR,CAP	14
125342-52130	COVER, DIAPHRAGM	12				A369-000420	STRAINER, FUEL	14
125344-13931	SCREW	12	900720-00012	O-RING	20	A409-001340	ROTOR, MAGNETO	6
125344-52130	SCREW	12	900720-20007	O-RING	22	A411-001770	COIL, IGNITION	6
132115-55931	GROMMET, FUEL	14	900800-00609	BEARING, BALL	20	A413-000110	BOOT	8
159112-09961	CLIP	24	900803-00609	BEARING, BALL	20	A425-000040	SPARKPLUG	6
175048-05530	WASHER (I)	8	900810-00629	BEARING, BALL	20	A426-000010	TERMINAL,SPARKPLUG	6
175049-56030	WASHER	8	900812-06201	BEARING, BALL	20	A427-000190	CAP,SPARK PLUG	6
177214-41030	WASHER	18	91316-04010	SCREW	20	A429-000220	COVER,CAP	2
177220-42030	SPRING, REWIND	18	91341-03006	SCREW	2	A556-001810	DRUM, CLUTCH	8
177228-44330	GRIP, STARTER	18	92419-28000	RETAINING RING, INTERNAL	8	A557-000150	SHAFT, CLUTCH	8
177236-61830	SCREW	18				92424-42000	RETAINING RING, INTERNAL	8
224924-52130	CLIP	22	93115-03010	KEY, WOODRUFF	6			
610011-25530	SHAFT, DRIVE	22	94018-46001	BEARING, BALL	8	A600-000020	LIFTER	4
610313-52132	FIXTURE,BLADE	20	A011-001530	CRANKSHAFT,ASY	2	A603-000090	VALVE	4
610313-52932	FIXTURE,BLADE	20	A021-004820	CARBURETOR, DIAPHRAGM	10	A603-000100	VALVE	4
610314-52130	PLATE, ADAPTER (L)	20	A021-004820	CARBURETOR, DIAPHRAGM	12	A604-000030	SPRING,VALVE	4
610320-52130	NUT 10	20				A606-000040	RETAINER	4
610352-56830	PLATE, CUP	20	A023-000370	CASE,CLEANER	10	A607-000030	ROD,PUSH	4
610434-50031	BOLT 8* 8	20	A051-003330	STARTER,RECOIL ASY	18	A610-000090	ARM,ROCKER	4
699229-56830	PLATE, COVER	20	A052-000300	STARTER PULLEY	18	A622-000020	GEAR,CAM	4
890152-04930	LABEL, CAUTION	22	A101-000730	RING, PISTON	2	C062-000520	HARNESS, SHOULDER	26
890617-43130	LABEL,CAUTION	22	A127-000440	COVER,DUST	10	C403-000031	GRIP,HANDLE	22
900220-04006	SCREW	20	A127-000600	COVER,DUST	18	C423-001090	FIXTURE, HANDLE	22
900330-40080	ROLLER	8	A137-000040	COVER,ROCKER ARM	4	C423-001100	FIXTURE, HANDLE	22
900330-50280	ROLLER	4	A146-000020	WEIGHT,DECOMP	4	C423-001110	FIXTURE, HANDLE	22
900500-00005	NUT	22	A160-003400	COVER,CYLINDER	2	C423-001120	FIXTURE, HANDLE	22
900500-00005	NUT 5	24	A160-003420	COVER,CYLINDER	2	C450-000790	TRIGGER,THROTTLE	24
900502-00006	NUT 6 (3N)	24	A175-000390	STAND	14	C460-000430	LOCKOUT,THROTTLE	24
900515-00008	NUT, FLANGE	6	A200-001190	INSULATOR, INTAKE	10	C463-000090	KNOB,LATCH	24
900518-00006	NUT, FLANGE	24	A209-001070	PLATE, INSULATOR	10	C534-001080	SHAFT, GEAR	20
900562-00005	NUT, LOCK	20	A211-000021	VALVE, REED	2	C550-000541	SHIELD, BLADE	20
900565-00005	NUT, SQUARE	20	A212-000021	GUIDE, VALVE	2	C552-000200	PLATE, SHIELD	20
900565-50008	NUT, SQUARE	22	A226-000361	ELEMENT, AIR FILTER	10	C554-000001	KNIFE,CORD	20
900600-00005	WASHER	22	A226-002200	ELEMENT, AIR FILTER	10	C603-000240	PLATE	4
900603-00005	WASHER	14	A235-000450	KNOB,CLEANER LID	10	C670-000240	HOOK,LIFTING	22
900603-50008	WASHER	20	A242-000290	LEVER,CHOKE	10	E106-000240	GUIDE,AIR	6
900605-00005	WASHER, SPRING	22	A243-000380	SHUTTER, CHOKE	10	P005-000010	STRAINER	12
900620-00005	WASHER	22	A244-000330	PLATE, PREVENT	10	P005-000100	SCREW, THROTTLEADJUST	12
900701-00009	RETAINING RING, EXTERNAL	20	A310-000520	SCREEN, ARRESTOR	16	P005-000190	E-RING	12

NUMERICAL PARTS INDEX

Part No	Part description	Page	Part No	Part description	Page	Part No	Part description	Page
P005-000200	GASKET, METERING	12	V103-001970	GASKET,INTAKE	10	V805-000140	BOLT, TORX 5	10
P005-000250	RETAINER	12	V103-001980	GASKET,INTAKE	10	V805-000140	BOLT, TORX 5	16
P005-000270	SCREW	12	V103-001990	GASKET,INTAKE	10	V805-000150	BOLT, TORX 5	8
P005-000280	O-RING	12	V104-002360	GASKET,EXHAUST	16	V805-000150	BOLT, TORX 5	18
P005-000520	GASKET, PUMP	12	V104-002370	GASKET,EXHAUST	16	V805-000150	BOLT, TORX 5	20
P005-001000	ROLLER, GUIDE	12	V107-000190	GASKET,FUEL CAP	14	V805-000170	BOLT, TORX 5	8
P005-001240	POST	12	V109-000040	GASKET	4	V805-000170	BOLT, TORX 5	14
P005-001270	PLUG, AJUST SCREW	12	V109-000340	GASKET	4	V805-000170	BOLT, TORX 5	20
P005-001900	SCREW	12	V202-000850	BOLT,4	4	V805-000170	BOLT, TORX 5	22
P005-003110	PUMP, PRIMER	12	V203-002400	BOLT,5	6	V805-000250	BOLT, TORX 5	2
P005-003760	DIAPHRAGM ,METERING	12	V203-002500	BOLT,5	22	V805-000250	BOLT, TORX 5	16
P005-003930	DIAPHRAGM, PUMP	12	V205-001400	BOLT,8	22	V805-000260	BOLT, TORX 5	20
P005-003940	DIAPHRAGM, PUMP	12	V252-000930	SCREW,4	4	V805-000320	BOLT, TORX 5	22
P005-003950	SCREW,MAIN MIXTURE	12	V263-000500	NUT,5	4	V805-000410	BOLT, TORX 5	26
P005-003960	SPRING, PUMP	12	V299-000680	KNOB,FASTENER	22	V806-000020	BOLT, TORX 6	20
P005-004240	BASE, ASY PRIMER	12	V303-000220	WASHER	4	X504-008180	LABEL,BRAND	2
P021-035681	FUEL CAP ASY	14	V307-000580	WASHER,CIRCULAR 10	2	X524-001901	LABEL	2
P021-042910	HOOK ASSY	26	V340-000180	WASHER	20	X530-000570	LABEL,EYE CATCHER	20
P021-046970	CLUTCH SHOE SET	8	V353-000720	COLLAR,5	4	X562-001920	LABEL,SHINDAIWA	18
P021-048940	SHIELD ASY	20	V392-000030	PLATE	4	X601-000020	TOOL,BOX SPANNER	26
P021-049000	MAIN PIPE ASY	22	V430-005140	CABLE,BOWDEN	24	X606-000080	TOOL,BAR	26
P022-022010	NUT	18	V452-000350	SPRING,TORSION	24			
P022-045770	GUIDE, ROPE	18	V452-000360	SPRING,TORSION	24			
P022-049770	DRUM, STARTER	18	V452-001310	SPRING,TORSION	20			
P022-049780	COLLAR	18	V452-001800	SPRING,TORSION	4			
P022-049790	SWING ARM	18	V471-001501	PIPE	14			
P022-049800	ROPE, STARTER	18	V471-004171	PIPE	14			
P022-059510	CASE, STARTER	18	V471-005290	PIPE	14			
P100-003870	THROTTLE ASY	24	V485-003010	LEAD	6			
P100-004730	CYL. CRANKCASE SET	2	V485-003020	LEAD	6			
P100-004740	PISTON KIT	2	V490-000500	CLIP	14			
P100-004750	CAM GEAR ASY	4	V505-000011	SEAL,OIL 12	2			
P100-004760	COVER,CAM GEAR	4	V505-000020	SEAL,OIL 12	2			
P100-004780	COVER ASY, FAN	8	V555-000010	BEARING,NEEDLE 10	2			
P100-004790	CLEANER COVER ASY	10	V580-000010	RING,END	2			
P100-004810	MUFFLER ASY	16	V581-000790	RING,O	10			
P100-004840	CASE,GEAR ASY	20	V608-000000	PIN,ENG 10	2			
P100-004860	SWITCH,ON OFF	24	V804-000010	BOLT, TORX 4	24			
P100-008860	SAW BLADE SHIELD	26	V804-000030	BOLT, TORX 4	16			
P100-010550	HOOK ASY	22	V804-000050	BOLT, TORX 4	4			
P100-010560	HANDLE ASY	22	V804-000120	BOLT, TORX 4	10			
P100-010570	FIXTURE HANDLE SET	22	V805-000050	BOLT, TORX 5	24			
P100-010590	SHIELD ASY	20	V805-000100	BOLT, TORX 5	10			
P100-010620	COVER,FAN	8	V805-000130	BOLT, TORX 5	20			
V000-000260	GEAR SET, BEVEL	20	V805-000140	BOLT, TORX 5	2			